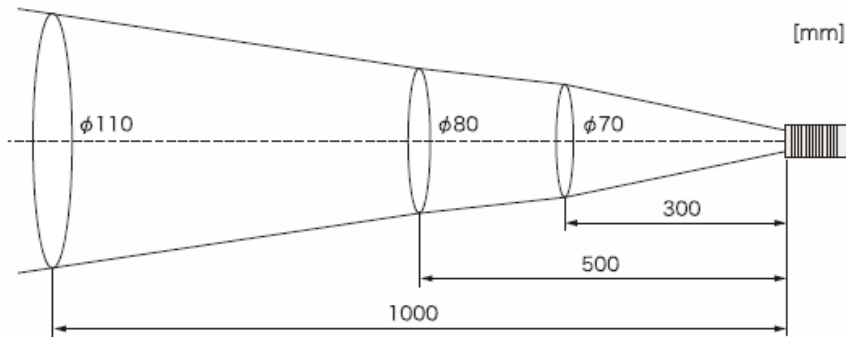


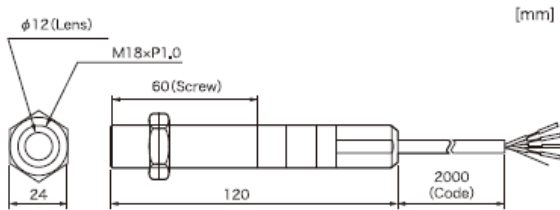
Optical Specifications



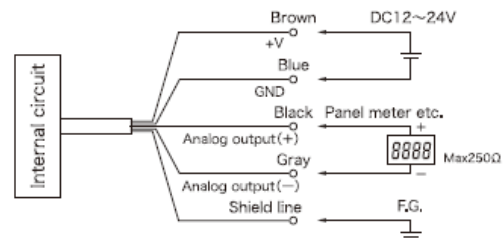
- ※ The optical resolution values stated above are at minimum 90% energy.
- ※ The size of measuring object should be sufficiently larger than the spot size.

Optical resolution	$\phi 80\text{mm}/500\text{mm}$
Sensing element/Spectral response	Thermopile/8 to $14\mu\text{m}$
System accuracy	0 to $200^{\circ}\text{C}:\pm 2^{\circ}\text{C}$ 201 to $400^{\circ}\text{C}:\pm 1^{\circ}\text{C}$
Repeatability	$\pm 1^{\circ}\text{C}$ of reading
Response time	100ms/90%
Temperature resolution	1°C
Emissivity (ϵ)	0.95
Analog output	4-20mA
Power supply	12-24VDC $\pm 10\%$ /Max 70mA
Ambient temperature	0 to 70°C
Relative humidity	35 to 85%Rh (non-condensing)
Storage temperature	-20 to 70°C
Protection class	IP67
Vibration resistance	10 to 55Hz, amplitude 1.5mm, 2hours each in any axis
Material	Stainless steel/aluminium
Weight	350g

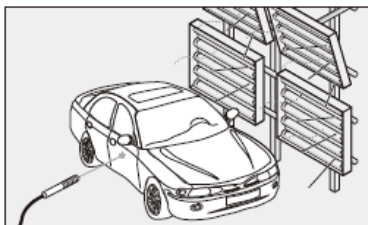
Dimensions



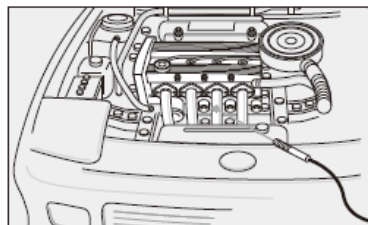
Connection Diagram



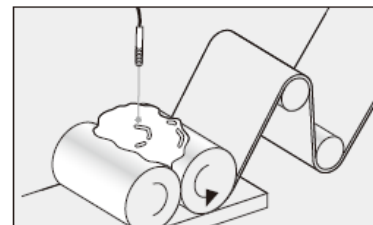
Applications



For checking dehydration temperature in baking finishing



For checking abnormal heat in engine / drive



For checking tempera processing / forming man