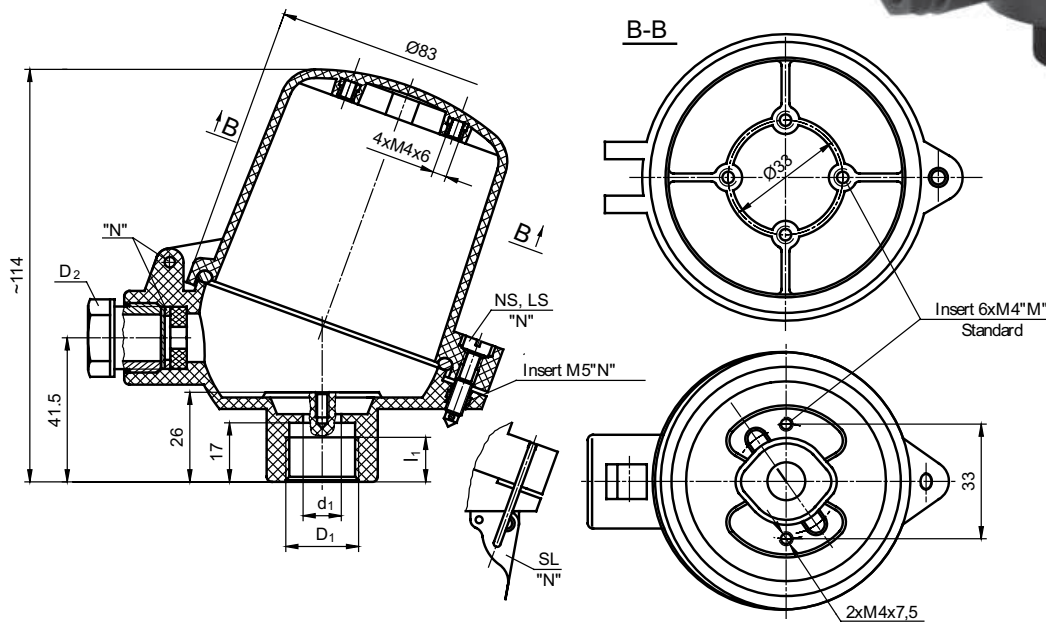


## Intrinsic safety CONNECTION HEAD – type XI-DSNW

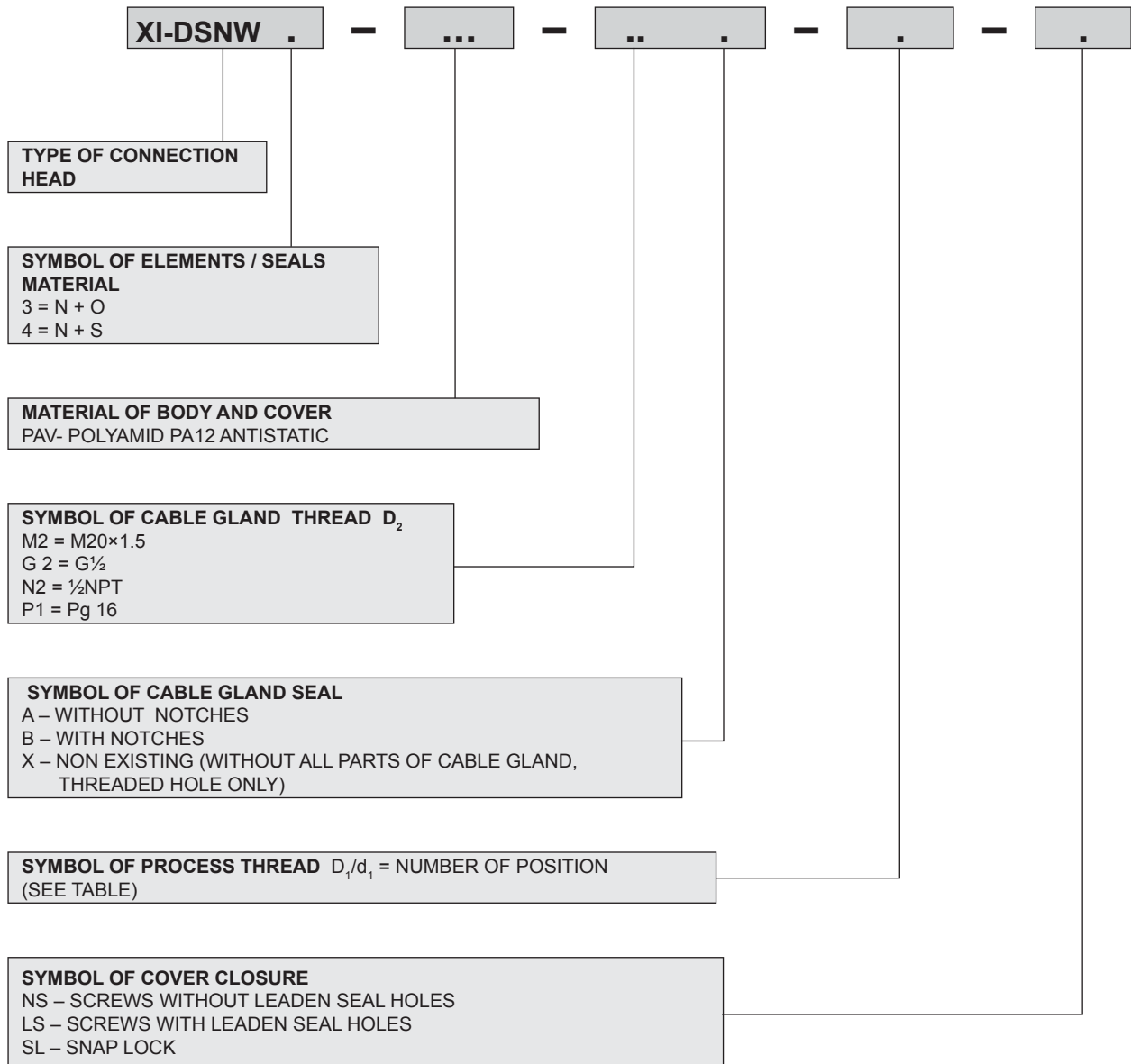
Material of body and cover: PAV – polyamide PA12 antistatic  
 – black  
 Ambient temperature:  $T_{amb} = -40$  to  $100^{\circ}\text{C}$  oil-proof rubber  
 $T_{amb} = -40$  to  $120^{\circ}\text{C}$  silicone rubber  
 Maximum body space for transmitter:  $\varnothing 45 \times 16\text{mm}$



STANDARD PRODUCT													
CABLE GLAND				BODY				COVER				ORDERING NO	
THREAD $D_2$	MATE- RIAL OF ELE- MENTS	SEALING RING		Pos.	$D_1$ ([mm])	$d_1$ [mm]	$I_1$ [mm]	MATE- RIAL OF BODY	CLOSURE		SEAL MATE- RIAL		MATE- RIAL OF COVER
		TYPE	MATE- RIAL						TYPE	MATE- RIAL OF SCREW			
M20×1.5	PAV	A	O	1	M20×1.5	$\varnothing 11$	17	PAV	NS	N	O	PAV	XI-DSNW3-PAV-M2A-1-NS XI-DSNW3-PAV-M2A-2-NS XI-DSNW3-PAV-M2A-3-NS XI-DSNW3-PAV-M2A-4-NS XI-DSNW3-PAV-G2A-3-NS XI-DSNW3-PAV-N2X-4-NS
				2	M24×1.5	$\varnothing 11$							
				3	G $\frac{1}{2}$	$\varnothing 11$							
				4	$\frac{1}{2}$ NPT	$\varnothing 11$							
G $\frac{1}{2}$	PAV	A	O	3	G $\frac{1}{2}$	$\varnothing 11$							
$\frac{1}{2}$ NPT	X	X	X	4	$\frac{1}{2}$ NPT	$\varnothing 11$							
OPTIONS ON REQUEST													
M20×1.5 G $\frac{1}{2}$ $\frac{1}{2}$ NPT Pg 16	X	B X	S X			X		X	LS SL	X	S	X	to fixing depend on chosen combination

PROTECTION CONCEPT					
Protection Method	Type of protection	ATEX 94/9/EC Marking	Permitted use	Approval	Protection Principle
Intrinsic safety EN 50014 EN 50020 EN 50281-1-1	EEx ia II	II 2G	Zone 0, Zone 20 Zone 1, Zone 21 Zone 2, Zone 22	Limatherm's Declaration of Conformity	Limit energy of sparks and surface temperature

## ORDERING



**SAMPLE :**

**STANDARD :** XI-DSNW3 – PAV – M2A – 2 – NS  
 ON REQUEST : XI-DSNW4 – PAV – P1B – 2 – SL

PROTECTION DEGREE			
IP	$D_2$	SEALING RING	$D_1$
54 to 65	M2	A, B	pos. 1 to 4
	G2	A, B	
	P1	A, B	
54 to 65	N2	–	pos. 4
For more details see technical information			